

Water Cooled AIR CONDITIONERS

PACKAGED & SPLIT
WPS WHS WSS



Comfort-Cire
by **AITONS'**®

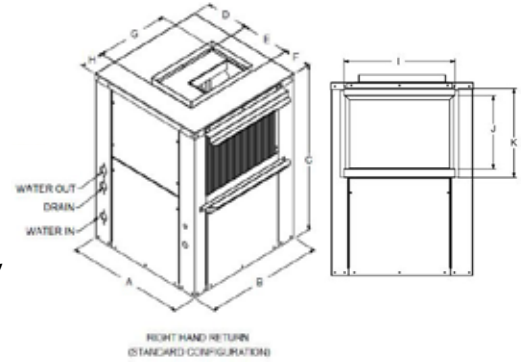
WPS DIMENSIONS

MODEL	A	B	C	D	E	F	G	H	I	J
	WIDTH	LENGTH	HEIGHT						R/A DUCT WIDTH	R/A DUCT HEIGHT
WPS 12	19 1/4	19. 1/4	28 1/4	7 1/8	7 3/4	4 3/8	11 3/4	3 3/4	15"	10"
WPS 18	22 1/2	22 1/2	31 1/2	5 1/4	13 3/4	3 1/2	16 1/4	3 1/8	18"	14"
WPS 24	22 1/2	22 1/2	36 1/2	5 1/8	13 3/4	3 5/8	16 1/4	3 1/8	17"	18"
WPS 30	22 1/2	22 1/2	36 1/2	5 1/8	13 3/4	3 5/8	16 1/4	3 1/8	17"	18"
WPS 36	26	22 1/2	43 1/2	6 1/8	15 3/4	4 1/8	16 1/4	3 1/8	19"	26"
WPS 44	26	22 1/2	43 1/2	6 1/8	15 3/4	4 1/8	16 1/4	3 1/8	19"	26"
WPS 60	32	24	45 1/2	9 1/2	17 3/4	4 3/4	17 3/4	3 1/8	19"	38"
WPS 90	31	34	68 1/2	14 1/2	15 3/4	1"	14 3/4	11 1/2	32"	45"
WPS 120	31	34	68 1/2	14 1/2	15 3/4	1"	14 3/4	11 1/2	32"	45"

NOTES: ALL DIMENSIONS ARE +/- 1/8"

WPS (Vertical package)/ WHS (Horizontal package):

Comfort-Aire offers a complete line of water cooled air conditioners in a wide range of capacities, from 12,000 BTU/H to 120,000 BTU/H, with up to 360,000 BTU/H by special order, in a selection of voltages and phases. Each unit is shipped individually packaged, fully charged with R410a and ready for installation and start up. All of the necessary components are included: water condenser, evaporator, multi speed blower, compressor and a factory-installed, field-adjustable, water regulating valve. Safety features and controls include a fan relay control, 24 volt transformer, contactor, factory installed high pressure limit control, and a lockout relay.

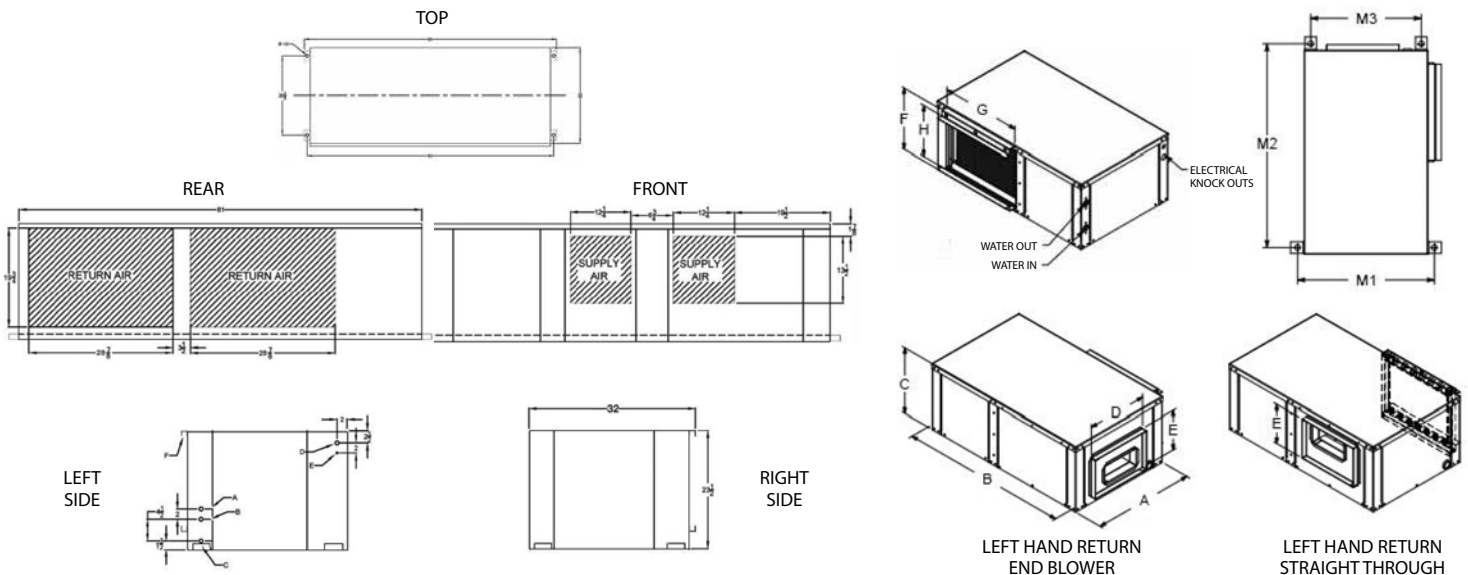


WPS and WHS lines are covered by a warranty that includes 5 years for the Compressor and 1 year on all parts.

WHS DIMENSIONS

MODEL	A	B	C	D	E	F	G	H	M1	M2	M3
	WIDTH	LENGTH	HEIGHT						HANGER LOCATIONS		
WHS12	20	33	13 3/8	11 3/4	7 3/4	12	15 1/2	11	22 1/8	33	17 7/8
WHS18	22	44	17	11 3/4	13 3/4	16	19 1/2	14	24 1/8	44	19 7/8
WHS24	22	45	19	13 3/4	13 3/4	18	21	16	24 1/8	45	19 7/8
WHS30	22	45	19	13 3/4	13 3/4	18	21	16	24 1/8	45	19 7/8
WHS36	22	55	19	13 3/4	13 3/4	18	29	16	24 1/8	55	19 7/8
WHS44	22	55	19	13 3/4	13 3/4	18	29	16	24 1/8	55	19 7/8
WHS60	36	44	22	16 7/8	17	20	34	18	38 1/8	44	33 7/8
WHS90	32	85	23 1/2	AS PER DRAWING					26 3/8	83	26 3/8
WHS120	32	85	23 1/2	DOUBLE OPENINGS R/A S/A					26 3/8	83	26 3/8

NOTES: EXTRA MOUNT ON WHS60 NOT SHOWN ALL DIMENSIONS ARE +/- 1/8"



PHYSICAL DATA

MODEL WPS & WHS	12	18	24	30	36	44	60	90	120
Nominal Capacity (BTUH)	12,421	18,023	24,197	31,024	36,096	42,111	61,233	96,012	122,387
Shipping Weight (lbs)	150	185	200	200	240	240	340	750	875
Compressor Type	Rotary	Rotary	Scroll	Scroll	Scroll	Scroll	Scroll	Scroll	Scroll
# Compressors	1	1	1	1	1	1	1	2	2
Blower Diameter & Width (in.)	6 X 6	9 X 7	9 X 7	9 X 7	9 X 7	9 X 7	12 X 9	15 X 10	15 X 10
Motor Horsepower	1/10	1/4	1/4	1/4	1/2	1/2	3/4	1	2
Permanent Filter size (WPS)	12X17X1	16 X 19-1/2 X 1	18 X 22 X 1	18 X 20 X 1	20 X 28 X 1	20 X 28 X 1	20 X 36 X 1	32 X 22 X 1 (2)	32 X 22 X 1 (2)
Permanent Filter size (WHS)	12X17X1	16 X 19-1/2 X 1	18-1/2 X 22-1/2 X 1	18-1/2 X 22-1/2 X 1	17-1/2 X 30 X 1	17-1/2 X 30 X 1	20 X 36 X 1	33 X 231/2 X 1 (2)	33 X 231/2 X 1 (2)
Nominal CFM	400	600	800	950	1200	1400	2000	3000	4000
Water Connection F.P.T.	3/4"	3/4"	3/4"	3/4"	3/4"	3/4"	3/4"	1"	1"

ELECTRICAL DATA

MODEL WPS & WHS	ELECTRICAL CHARACTERISTICS	COMPRESSOR		BLOWER		UNIT TOTAL FLA	MIN. CIRCUIT AMPACITY	MAXIMUM FUSE T/D
		RLA	LRA	RLA	HP			
12	208-230-1-60	5.0	22	1.0	1/10	6	9.0	15
18	208-230-1-60	8.4	48	2.2	1/4	10.6	12.5	20
24	208-230-1-60	9	48	2.2	1/4	9.7	14.0	20
30	208-230-1-60	11.4	73	2.2	1/4	14.6	17.5	30
36	208-230-1-60	15.0	83	3.2	1/2	18.2	22	40
36-3	208-230-3-60	10.0	78	3.2	1/2	14.2	16	30
36-5	575-3-60	3.4	30	1.85	3/4	5.25	8.0	15
44-1	208-230-1-60	18	105	3.2	1/2	21.2	27	40
44-3	208-230-3-60	11.6	78	3.2	1/2	14.8	18	30
60-1	208-230-1-60	29	145	4.6	3/4	33.6	41	60
60-3	208-230-3-60	18	123	4.6	3/4	22.3	28	45
60-5	575-3-60	6.5	60	1.85	3/4	6.4	12	15
90-3	208-230-3-60	16.1 X 2	120 X 2	4.6	1	40	42	50
90-5	575-3-60	4.8 X 2	34 X 2	1.7	1	7.3	13	20
120-3	208-230-3-60	18 X 2	123 X 2	7.6	2	43	49	60
120-5	575-3-60	6.5 X 2	60 X 2	2.5	2	16	21	30

BLOWER PERFORMANCE (IN CFM) WPS / WHS12 - 60

MODEL WPS & WHS	0.10	0.20	0.30	0.40	0.50	0.60	0.70	SPEED
12	500/455/410	460/428/395	420/395/375	385/370/355	360/345/330	325/315/305	300/280/-NA	HI -MED- LOW
18	770/720/670	700/675/650	680/648/615	650/610/670	610/570/530	570/540/510	530/500/-NA	HI -MED- LOW
24	930/840/750	890/805/720	810/750/690	760/715/670	710/685/660	690/670/-NA	680/NA/-NA	HI -MED- LOW
30	1250/1150/1050	1170/1075/980	1120/1020/920	1070/950/830	940/850/760	890/765/700	740/725/-NA	HI -MED- LOW
36	1500/1455/1410	1440/1395/1350	1370/1330/1290	1290/1255/1220	1210/1180/1150	1120/1090/1060	100/950/900	HI -MED- LOW
44	1740/1560/1515	1500/1455/1410	1420/1380/1340	1340/1305/1270	1260/1230/1200	1170/1140/1110	1070/1040/1010	HI -MED- LOW
60	2250/2180/2110	2200/2120/2040	2100/2045/1990	2050/1980/1910	2000/1910/1820	1900/1830/1760	180/1750/1700	HI -MED- LOW

BLOWER PERFORMANCE WPS / WHS90 - 120

UNIT	CFM	0.4		0.6		0.8		1.0		1.2		1.4		1.6	
		RPM	BHP	RPM	BHP	RPM	BHP	RPM	BHP	RPM	BHP	RPM	BHP	RPM	BHP
90	3000	703	0.7	793	0.88	877	1.08	956	1.28	1055	1.54	1135	1.8	1207	2.06
	3200	718	0.78	804	0.98	885	1.16	962	1.36	1050	1.62	1132	1.9		
	3400	729	0.86	812	1.06	891	1.26	966	1.46	1038	1.68				
120	3600	832	1.18	908	1.4	981	1.62	1052	1.82	1120	2.06	1200	2.38	1273	2.7
	4000	873	1.42	944	1.68	1011	1.92	1077	2.16	1140	2.4	1201	2.64		
	4400	913	1.74	979	2	1043	2.26	1105	2.54	1165	2.8				

SIZES AVAILABLE UP TO 30 TON

WSS - SPLIT WATER COOLED CONDENSER

Model #	CAPACITY (BTU)	ELECTRICAL	FLA	FUSE SIZE	WATER FPT	LIQUID	SUCTION	SHIPPING WEIGHT
WSS12	12,000	208/230/60/1	4.0	15	3/8	3/8	3/4	140
WSS18	18,000	208/230/60/1	8.5	15	3/8	3/8	3/4	140
WSS24	24,000	208/230/60/1	9.0	20	3/8	3/8	3/4	145
WSS30	30,000	208/230/60/1	11.0	20	3/8	3/8	3/4	145
WSS36-1	36,000	208/230/60/1	15.0	30	3/8	3/8	3/4	165
WSS36-3	36,000	208/230/60/3	10.0	20	3/8	3/8	3/4	165
WSS36-5	36,000	575/60/3	4.5	15	3/8	3/8	3/4	165
WSS44-1	44,000	208/230/60/1	18.0	30	3/8	3/8	3/4	165
WSS44-3	44,000	208/230/60/3	11.0	30	3/8	3/8	3/4	165
WSS44-5	44,000	575/60/3	5.0	15	3/8	3/8	3/4	165
WSS60-1	62,000	208/230/60/1	29.0	50	1/2	1/2	7/8	225
WSS60-3	62,000	208/230/60/3	18.0	30	1/2	1/2	7/8	225
WSS60-5	62,000	575/60/3	8.0	15	1/2	1/2	7/8	225

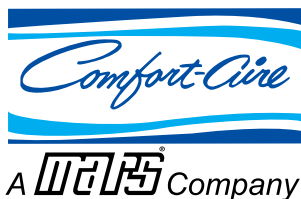
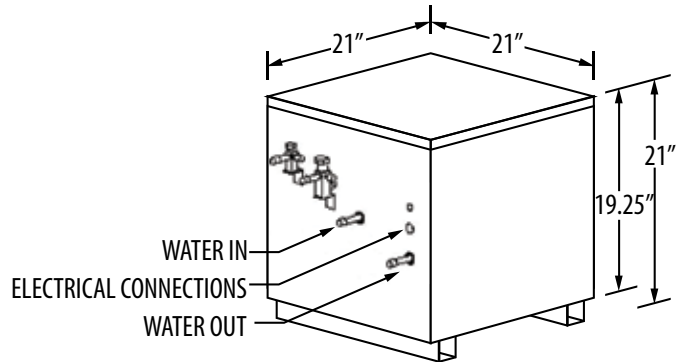
WSS

The WSS water cooled split condensing units are for use in residential or commercial air conditioning applications and offer high cooling efficiencies (EERs), as they operate at low condensing temperatures.

These compact units can be placed virtually anywhere indoors and connected to an evaporator in the furnace or with a matching air handler. The heat rejected as hot water can be gainfully used for heating domestic water or for other applications. Available sizes range from 12,000 BTU/H to 60,000 BTU/H in a selection of voltages and phases.

The condensing units are enclosed in a galvanized steel cabinet equipped with a high efficiency compressor. Safety features and controls include: a factory mounted water regulating valve, a filter drier, and a high pressure limit control. **Units are shipped with a nitrogen holding charge** and service valves to allow refrigerant to be added on site.

The WSS line is covered by a warranty that includes 5 years for the Compressor and 1 year on all parts.



6-35 Brownridge Rd. Halton Hills, ON L7G 0C6
 Toll Free: 888-744-2911
 Fax: 888-324-8667
 E-mail: canada.customerservice@marsdelivers.com
www.marsdelivers.com

DISTRIBUTED BY:

IN KEEPING WITH ITS POLICY OF CONTINUOUS PRODUCT IMPROVEMENT, AITONS' EQUIPMENT INC. RESERVES THE RIGHT TO MAKE CHANGES WITHOUT NOTICE. E.O.&E.